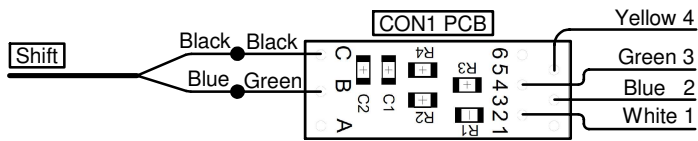


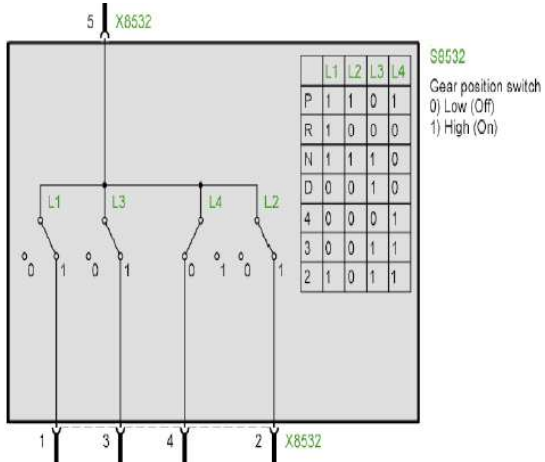
# Shifter Converter Drawing

Last Changed: 16/07/2022

## Parallel Switch to Analog Converter

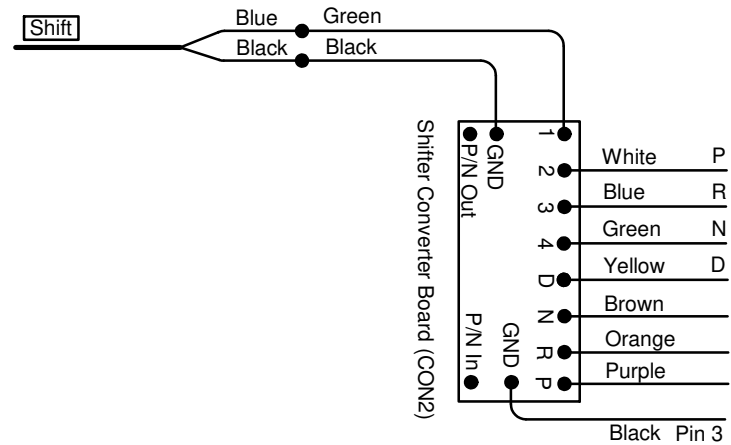


Note that some switches have only 3 strings. Always wire from 1 to 4.

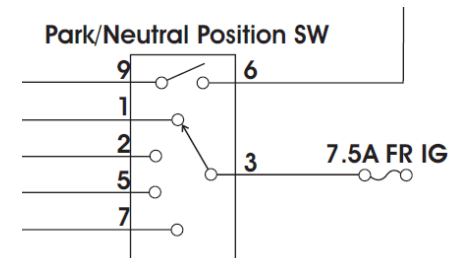


Example of a parallel switch. One common wire will switch to multiple position in parallel creating a binary code combination.

## Serial Switch to Analog Converter



Note that the shifter positions on the board is incorrect. Always use the wire side position numbers.



Example of a serial switch. One common wire will switch to each individual position in series.