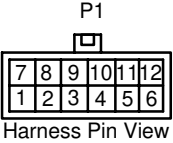
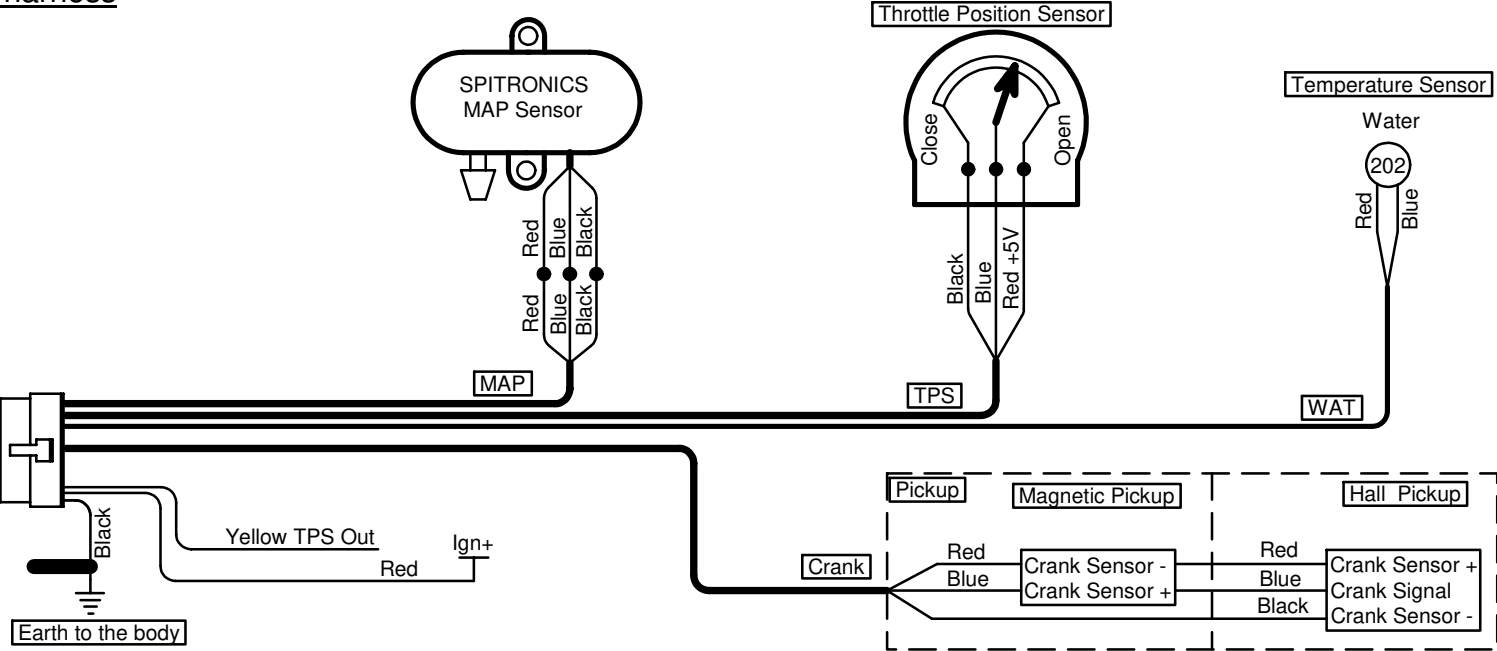


E46 P1 Crank Econno Input Harness Wiring

Last Changed: 19/07/2024

Products that can use this harness

Titan / Venus, Venus2, Venus3
Saturn, Orion, Orion2



- 1.
2. Blue - TPS Sensor
3. Blue - Map Sensor
4. Black - Ground
- 5.
6. Red - Crank Sensor Power
7. Red - Water Temp Sensor
- 8.
9. Red - +5V Output
10. Red - +12V Ign Input
- 11.
12. Blue - Crank Sensor Signal

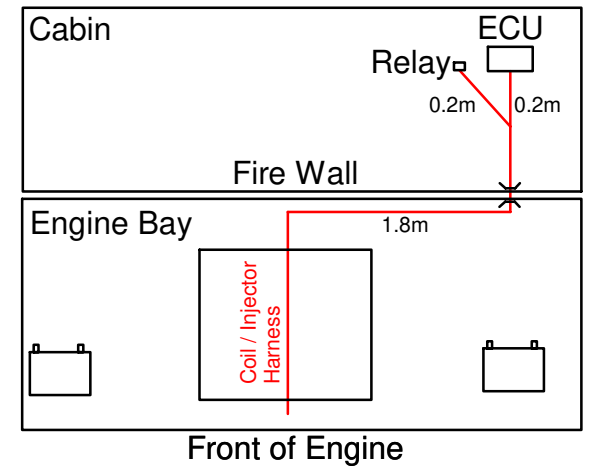
Connector Pinouts

E46 P1 Crank Econno Input Harness Layout

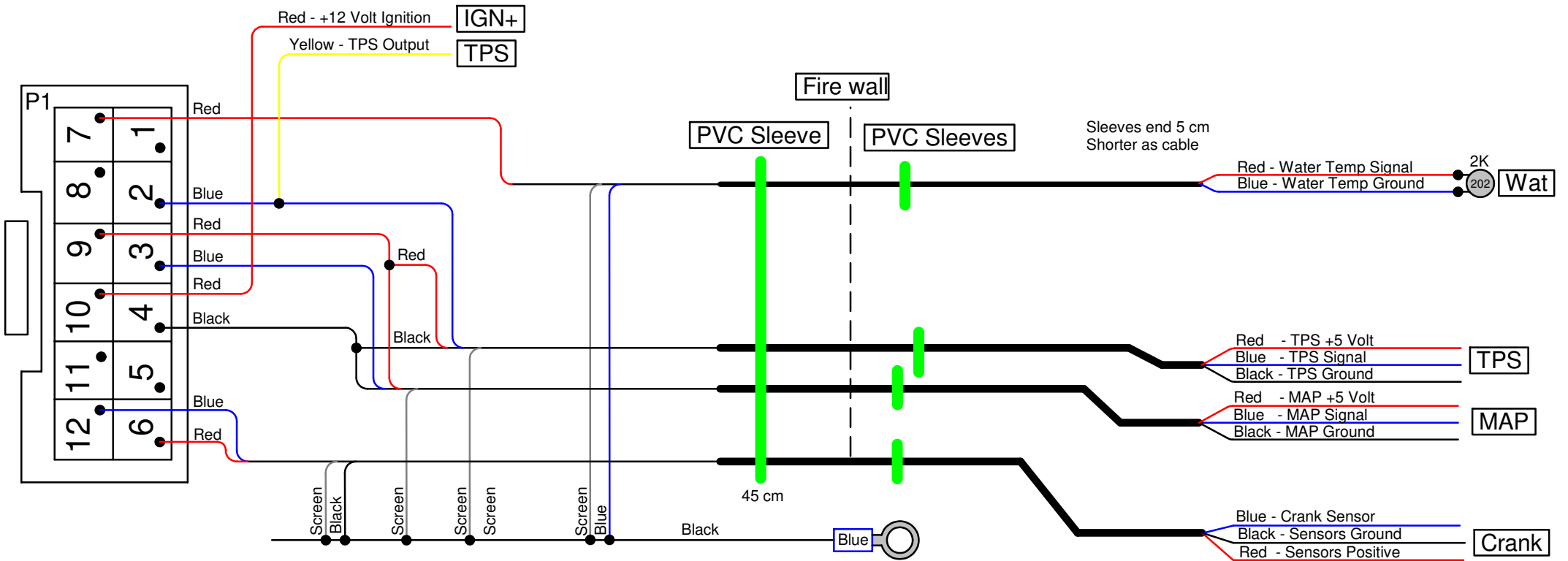
Last Changed: 26/04/2024

Products that can use this harness

Titan / Venus, Venus2, Venus3
Saturn, Orion, Orion2



Use PVC Sleeve That is smallest diameter to fit the wires



E46 P1 Crank Econno Input Harness Design

Last Changed: 26/04/2024

Products that can use this harness

Titan / Venus, Venus2, Venus3
 Saturn, Orion, Orion2

See Layout for PVC Sleeve information
 and other wiring to complete Harness

