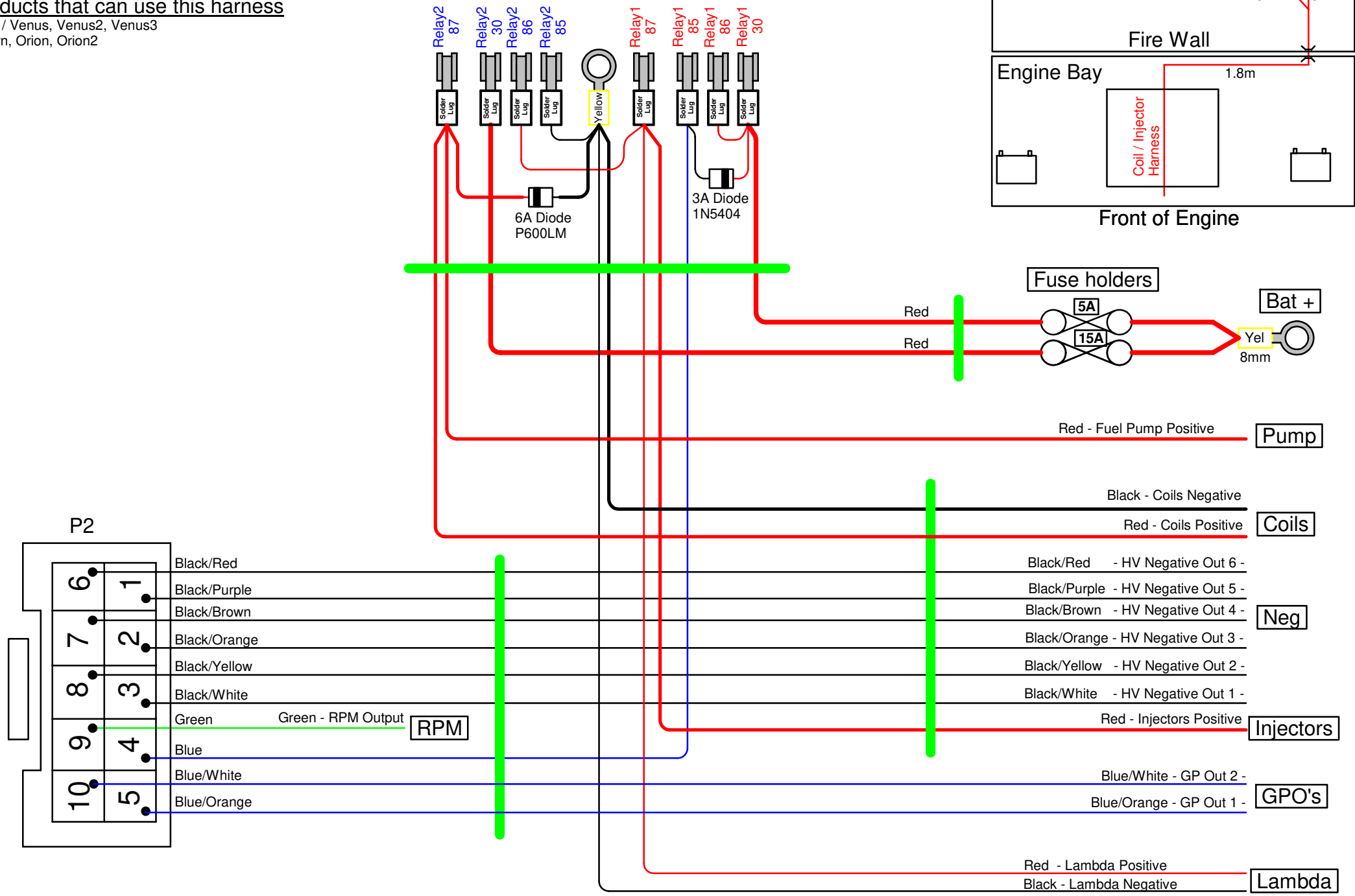


# E41 P2 2Relay Output Harness Layout

Last Changed: 26/04/2024

## Products that can use this harness

Titan / Venus, Venus2, Venus3  
Saturn, Orion, Orion2



# E41 P2 2Relay Output Harness Design

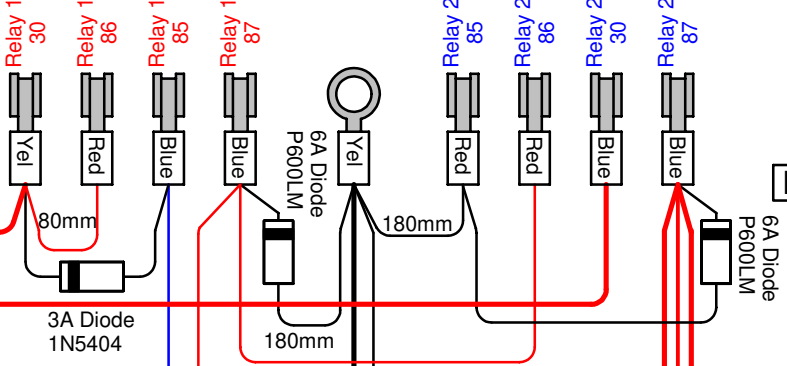
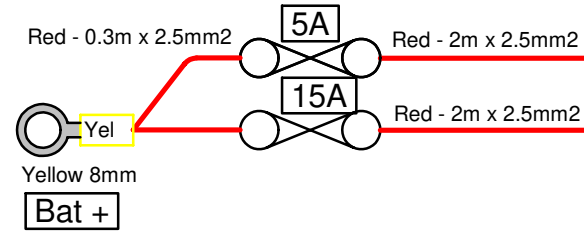
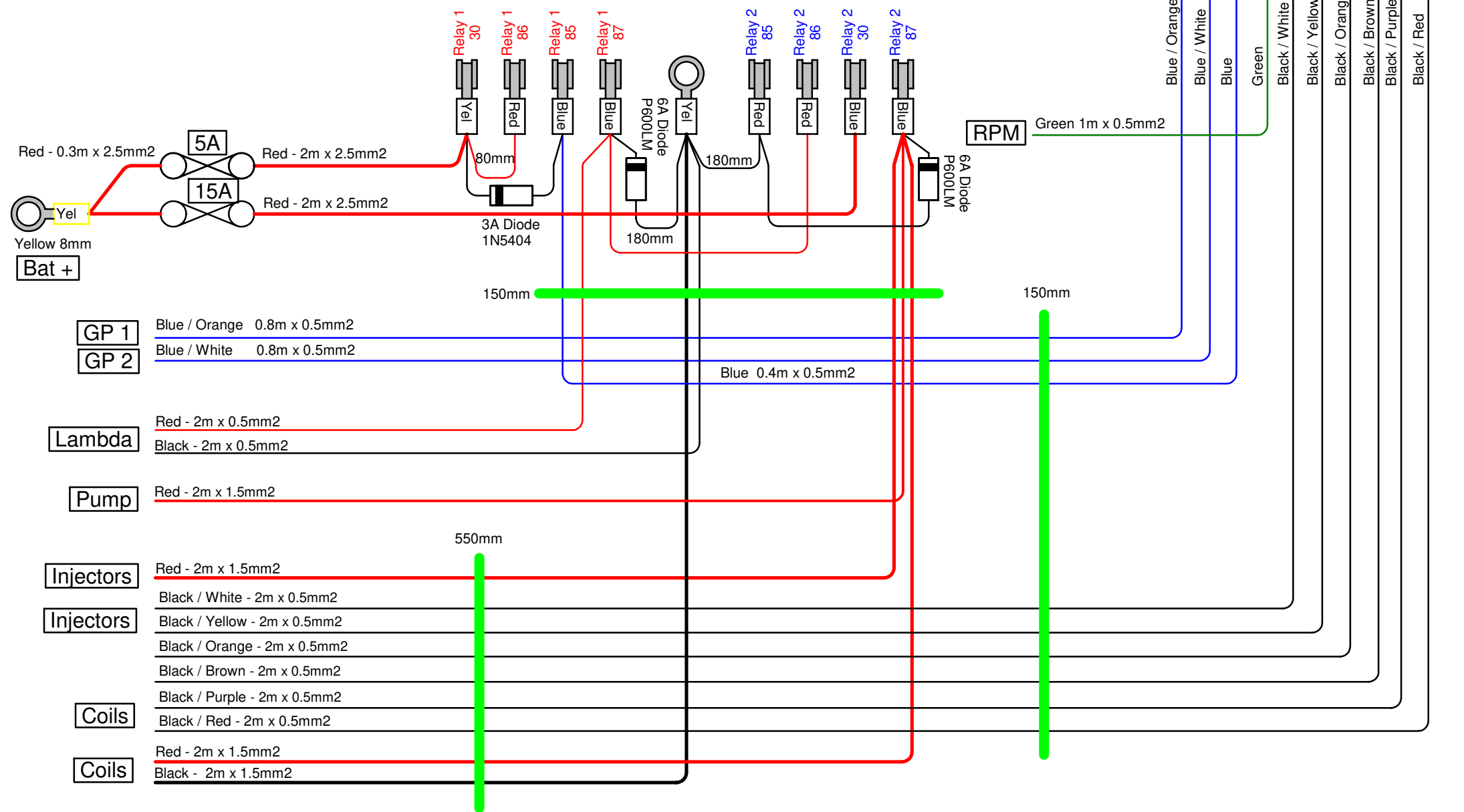
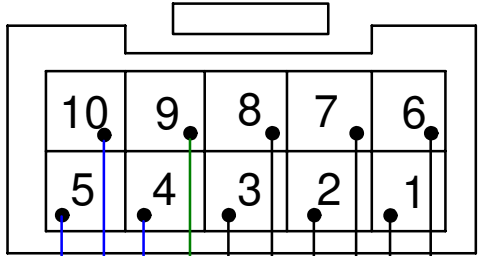
Last Changed: 29/04/2024

## Products that can use this harness

Titan / Venus, Venus2, Venus3  
 Saturn, Orion, Orion2  
 Eezi4

Note! Use fully insulated Lugs for short protection at relay.

10 Way Female Plug  
 Rear View  
 P/N CP-01110010  
 Pins CP-01100101



RPM

Green 1m x 0.5mm2

GP 1 Blue / Orange 0.8m x 0.5mm2  
 GP 2 Blue / White 0.8m x 0.5mm2

Lambda Red - 2m x 0.5mm2  
 Black - 2m x 0.5mm2

Pump Red - 2m x 1.5mm2

Injectors Red - 2m x 1.5mm2

Injectors Black / White - 2m x 0.5mm2  
 Black / Yellow - 2m x 0.5mm2  
 Black / Orange - 2m x 0.5mm2  
 Black / Brown - 2m x 0.5mm2

Coils Black / Purple - 2m x 0.5mm2  
 Black / Red - 2m x 0.5mm2

Coils Red - 2m x 1.5mm2  
 Black - 2m x 1.5mm2

550mm

Blue 0.4m x 0.5mm2

150mm

150mm