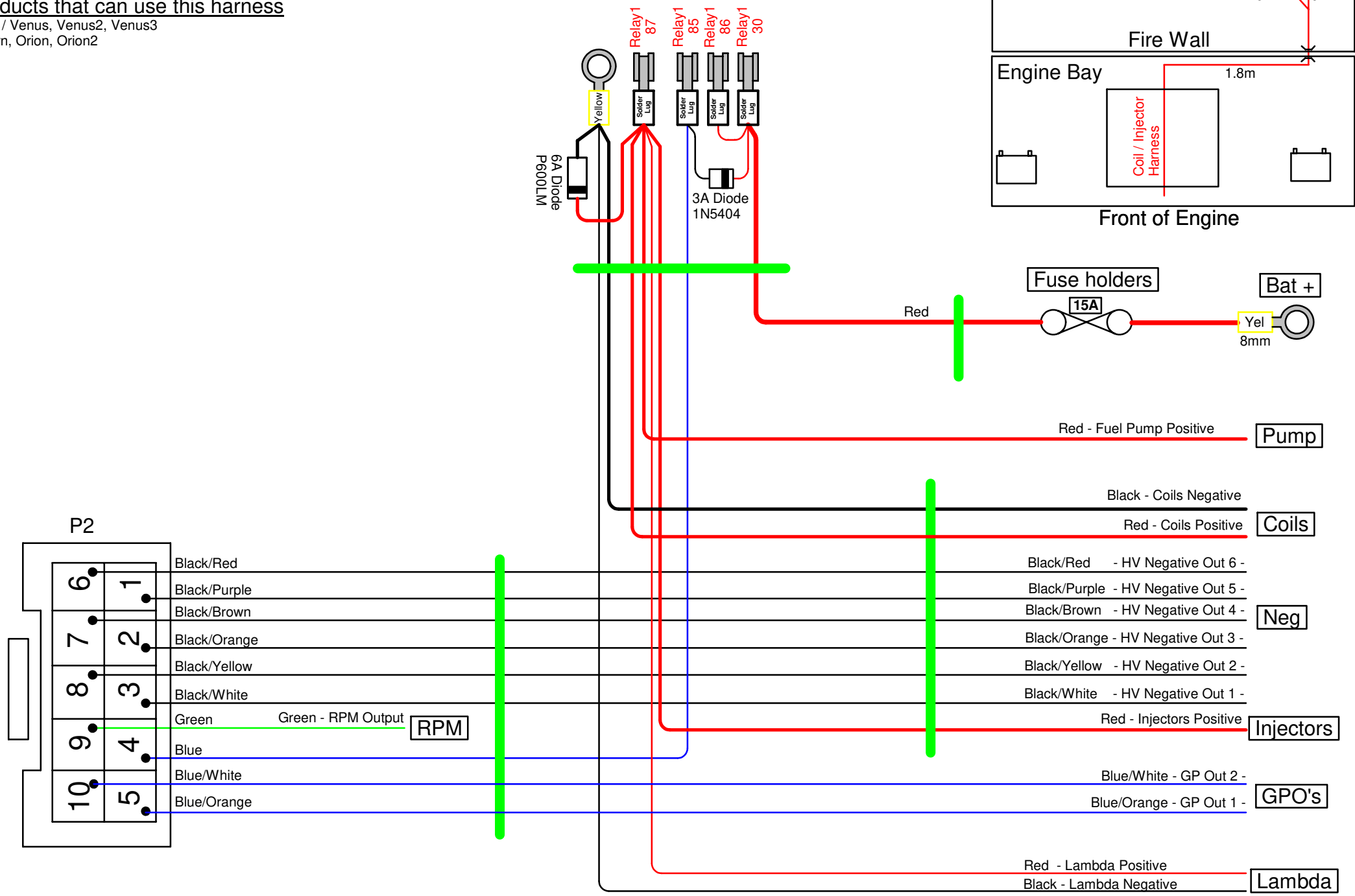


# E40 P2 1Relay Output Harness Layout

Last Changed: 26/04/2024

## Products that can use this harness

Titan / Venus, Venus2, Venus3  
Saturn, Orion, Orion2



# E40 P2 1Relay Output Harness Design

Last Changed: 29/04/2024

## Products that can use this harness

Titan / Venus, Venus2, Venus3  
Saturn, Orion, Orion2

Note! Use fully insulated Lugs.  
Use Relay Holder

