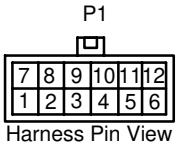
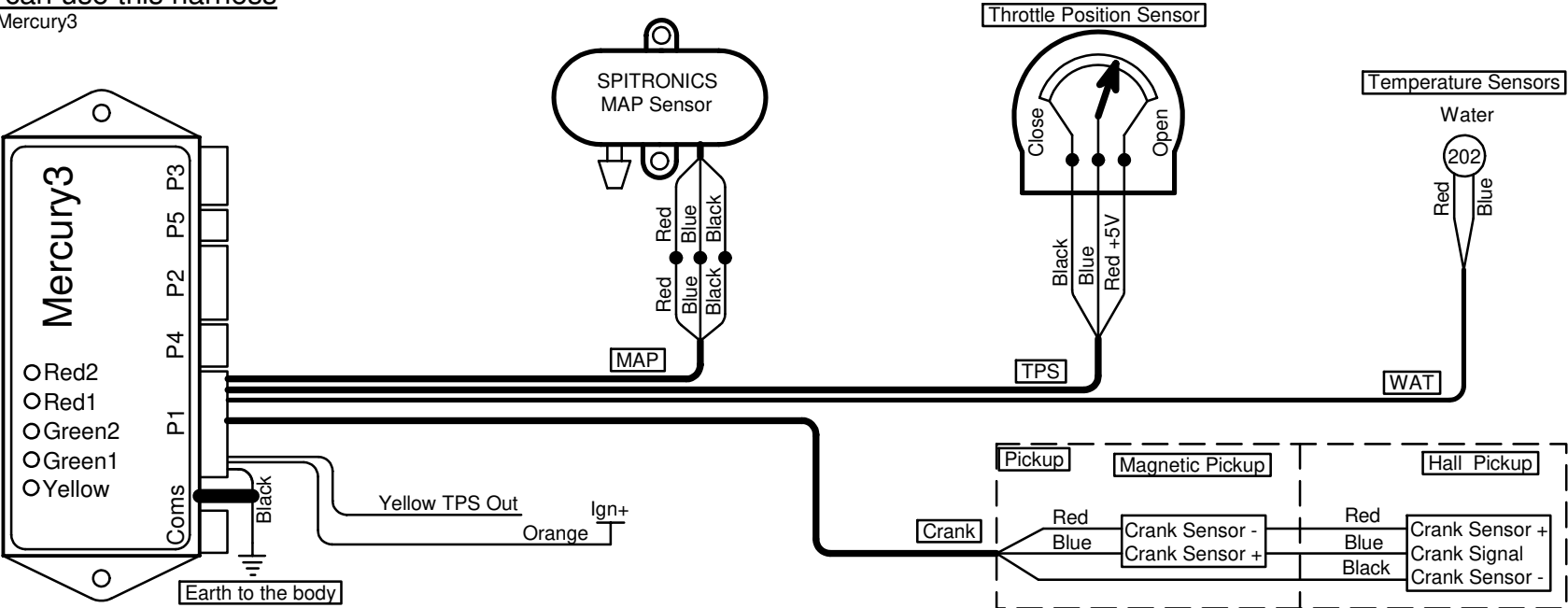


M11 P1 Crank Only Econno Input Harness Wiring

Last Changed: 17/04/2024

Products that can use this harness

Mercury, Mercury2, Mercury3



- 1.
- 2. Blue - TPS Sensor
- 3. Blue - Map Sensor
- 4. Black - Ground
- 5.
- 6. Red - Crank Sensor Power
- 7. Red - Water Temp Sensor
- 8.
- 9. Red - +5V Output
- 10. Orange - +12V Ign Input
- 11.
- 12. Blue - Crank Sensor Signal

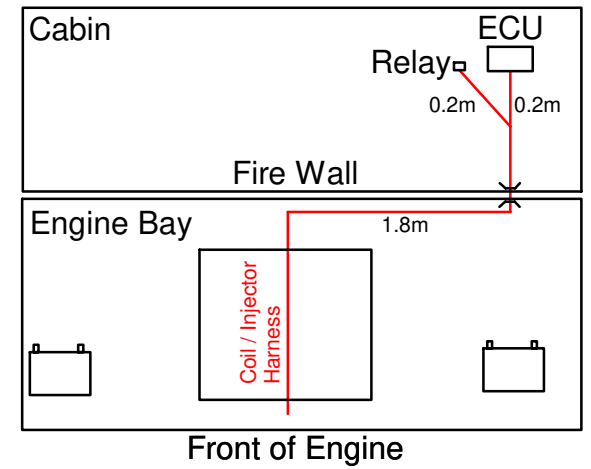
Connector Pinouts

M11 P1 Crank Only Econno Input Harness Wiring

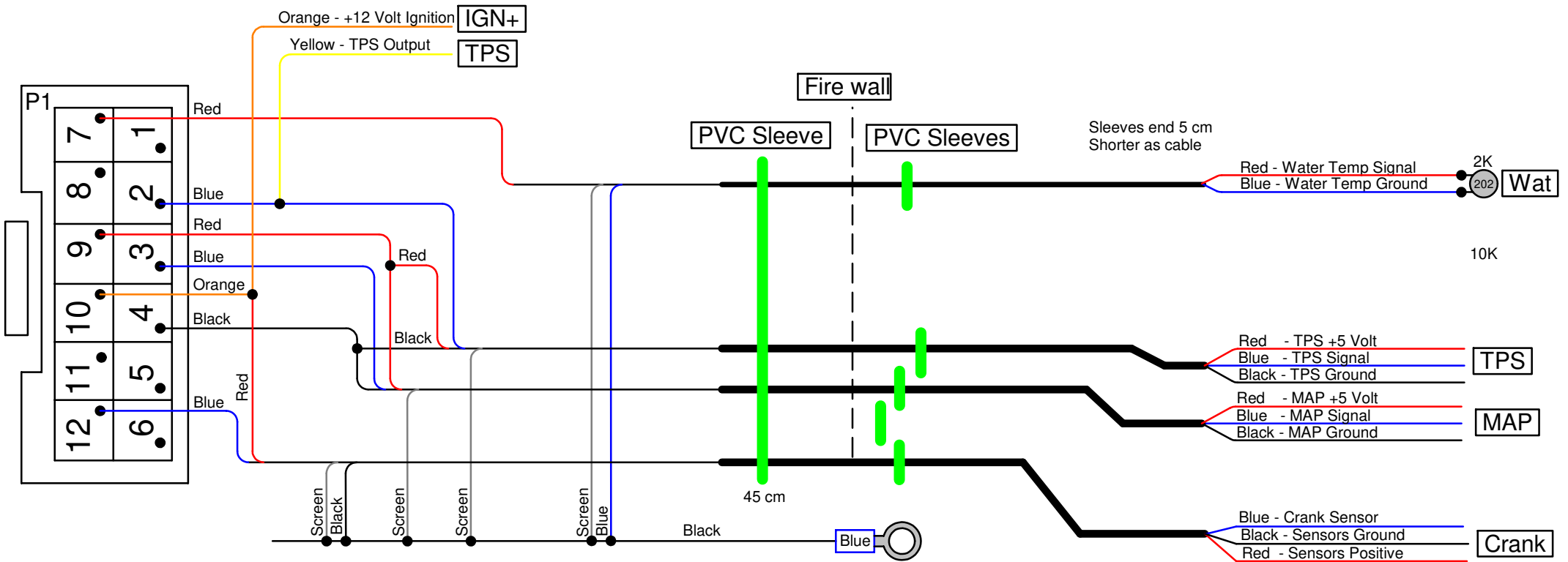
Last Changed: 17/04/2024

Products that can use this harness

Mercury, Mercury2, Mercury3



Use PVC Sleeve That is smallest diameter to fit the wires



M11 P1 Crank Only Econno Input Harness Wiring

Last Changed: 17/04/2024

Products that can use this harness

Mercury, Mercury2, Mercury3

See Layout for PVC Sleeve information and other wiring to complete Harness

