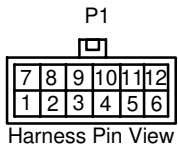
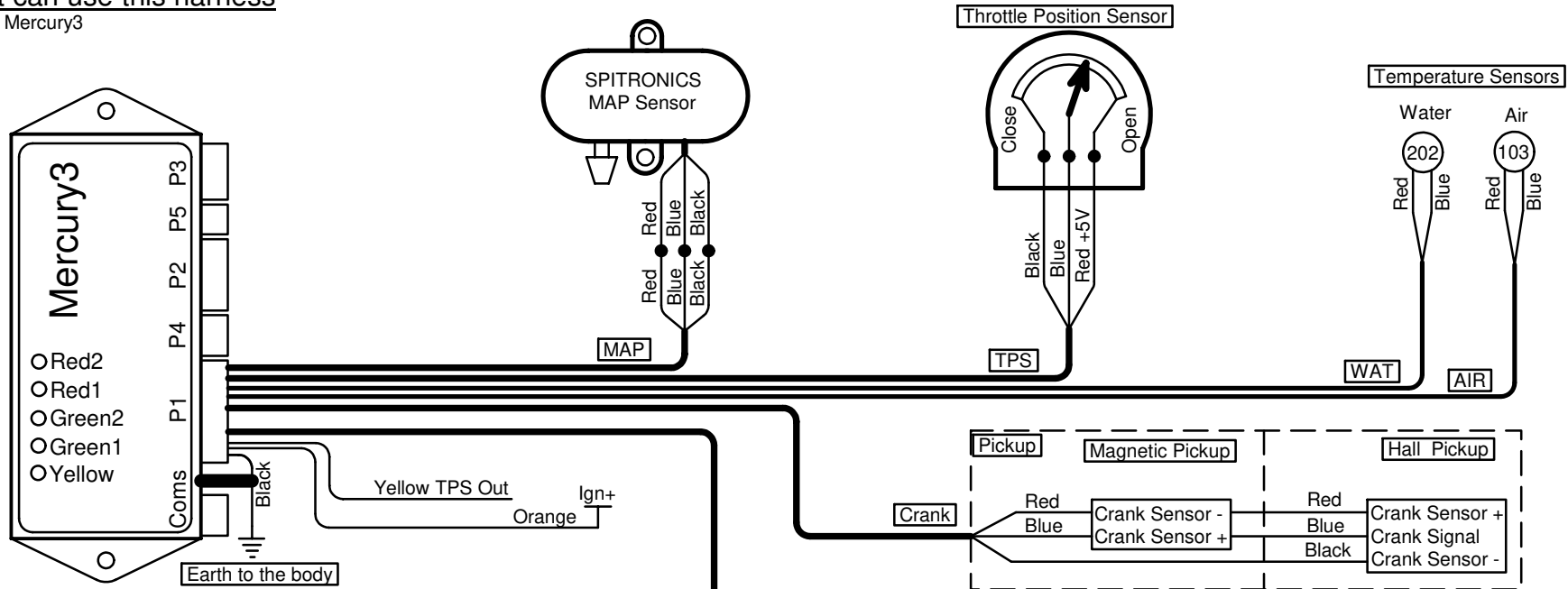


# M10 P1 Crank Only Input Harness Wiring

Last Changed: 17/04/2024

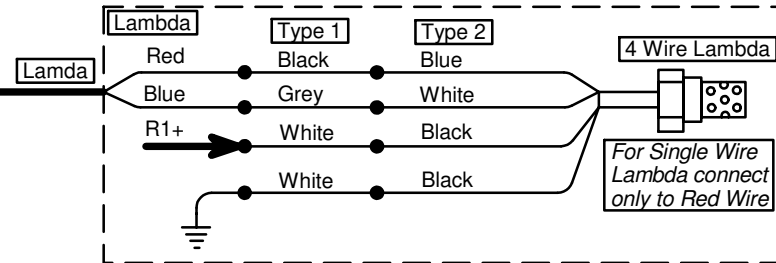
## Products that can use this harness

Mercury, Mercury2, Mercury3



- 1. Red - Air Temp Sensor
- 2. Blue - TPS Sensor
- 3. Blue - Map Sensor
- 4. Black - Ground
- 5.
- 6. Red - Crank Sensor Power
- 7. Red - Water Temp Sensor
- 8. Red - Lamda Sensor +
- 9. Red - +5V Output
- 10. Orange - +12V Ign Input
- 11.
- 12. Blue - Crank Sensor Signal

Connector Pinouts

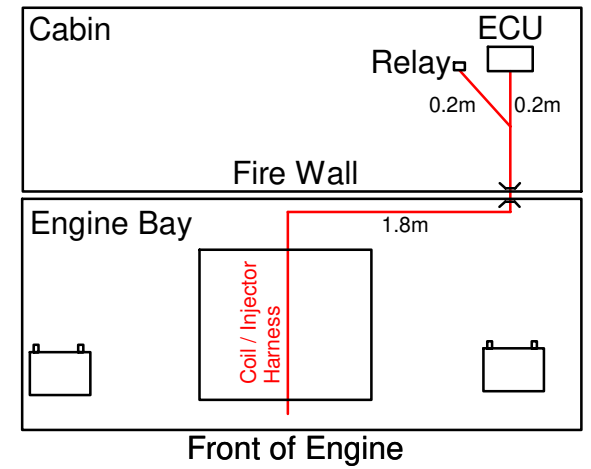


# M10 P1 Crank Only Input Harness Wiring

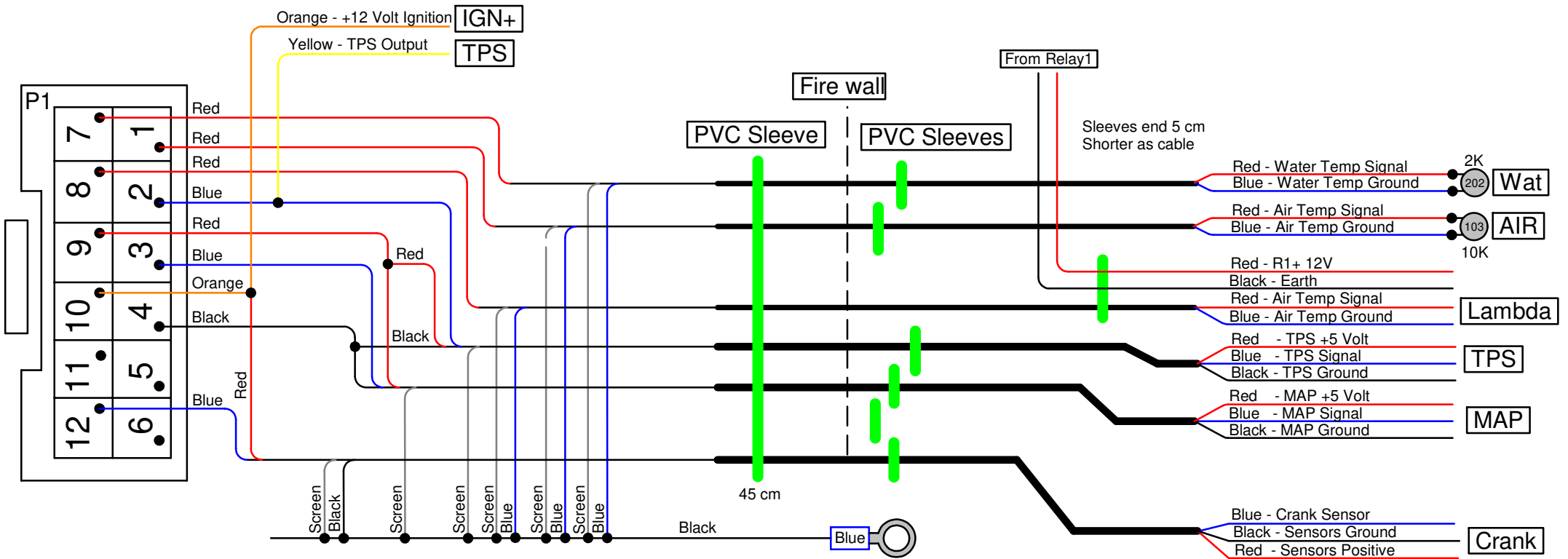
Last Changed: 17/04/2024

## Products that can use this harness

Mercury, Mercury2, Mercury3



Use PVC Sleeve That is smallest diameter to fit the wires



# M10 P1 Crank Only Input Harness Wiring

Last Changed: 17/04/2024

Products that can use this harness

Mercury, Mercury2, Mercury3

See Layout for PVC Sleeve information and other wiring to complete Harness

