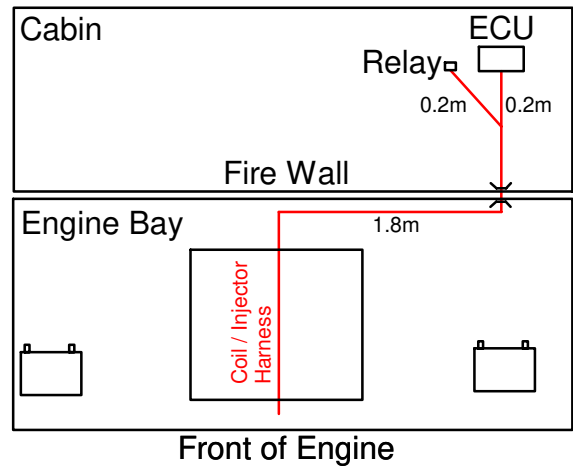
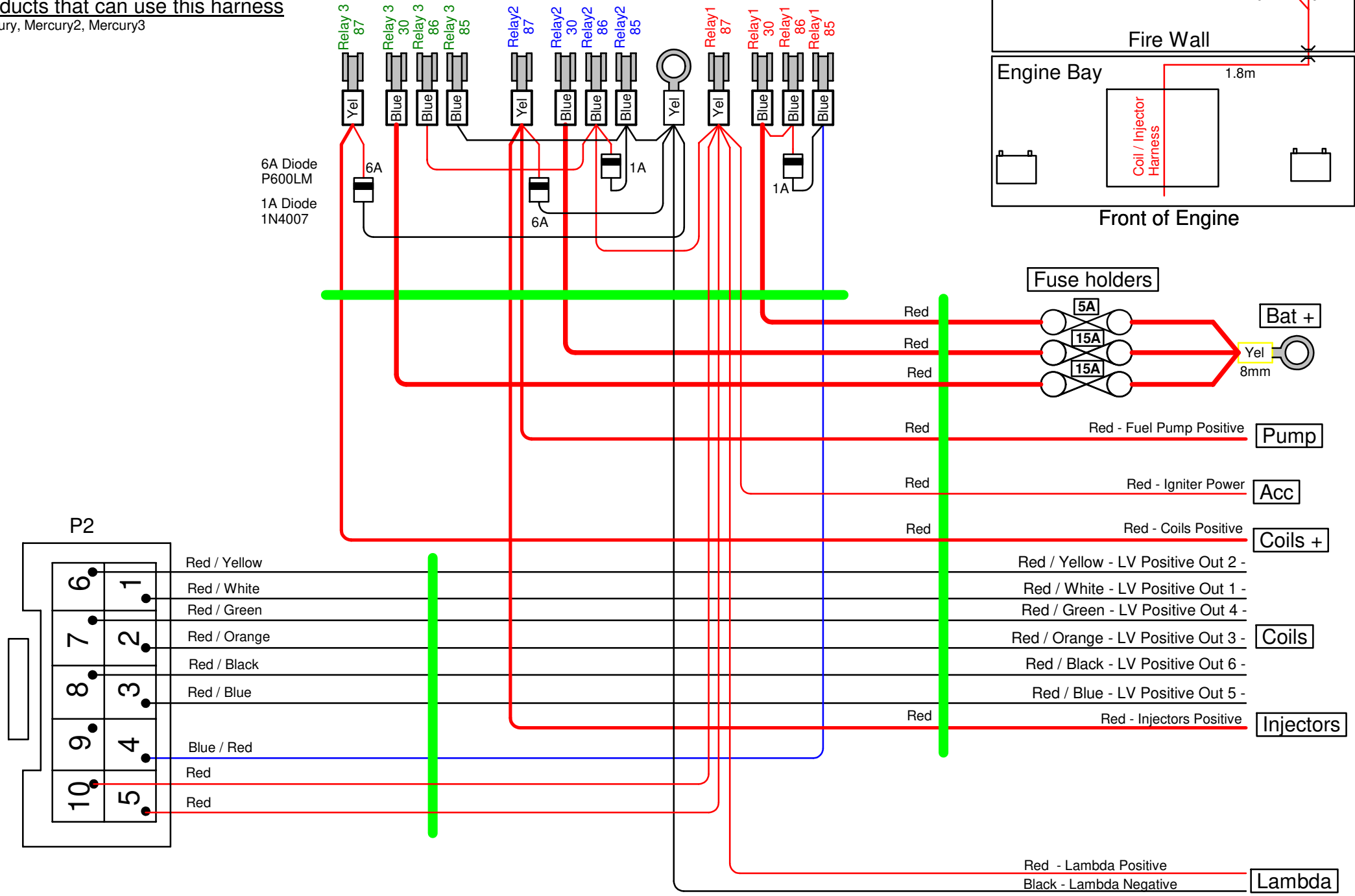


M12 P2 3Relay Output Harness Layout

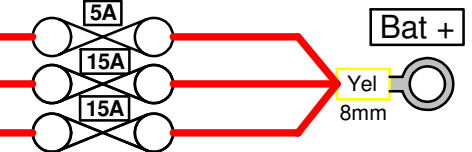
Last Changed: 17/04/2024

Products that can use this harness

Mercury, Mercury2, Mercury3



Fuse holders



Red - Fuel Pump Positive Pump

Red - Igniter Power Acc

Red - Coils Positive Coils +

Red / Yellow - LV Positive Out 2 -

Red / White - LV Positive Out 1 -

Red / Green - LV Positive Out 4 -

Red / Orange - LV Positive Out 3 - Coils

Red / Black - LV Positive Out 6 -

Red / Blue - LV Positive Out 5 -

Red - Injectors Positive Injectors

Red - Lambda Positive
Black - Lambda Negative Lambda

M12 P2 3Relay Output Harness Design

Last Changed: 17/04/2024

Products that can use this harness

Mercury, Mercury2, Mercury3

Note! Use fully insulated Lugs.
Use Relay Holders

